

# String Inverter (SUN2000-23KTL)



## Smart

- 3 MPPTs for versatile adaptations to different module types or quantities built up with different alignments
- 6 strings intelligent monitoring and 80% time saving for fault detection
- RS485 and USB ports for connectivity and data management
- Local graphic LCD display and remote monitoring

## Efficient

- Max. efficiency 98.6%, European efficiency 98.3%
- Easy to install with the weight of 48kg

## Safe

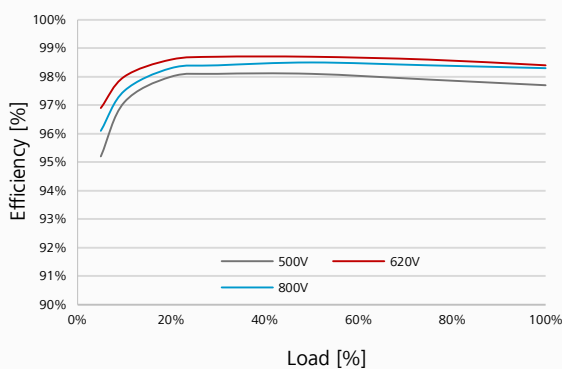
- DC disconnect integrated, safe and convenient for maintenance
- Type II surge arresters for both DC and AC
- Ground fault protection
- Residual Current Detection (RCD) protection

## Reliable

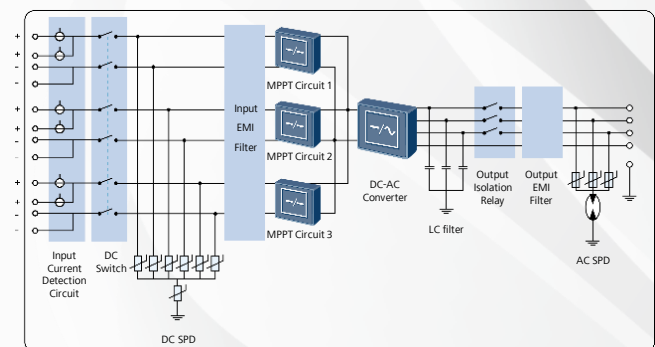
- No need for external fans with natural cooling technology
- Protection rating of IP65



### Efficiency Curve



### Circuit Diagram



SUN2000-23KTL



# String Inverter (SUN2000-23KTL)



Technical Specifications	SUN2000-23KTL
	<b>Efficiency</b>
Max. Efficiency	98.6%
European Efficiency	98.3%
	<b>Input</b>
Max. DC Usable Power	23,600 W
Max. Input Voltage	1,000 V
Max. Current per MPPT	18 A
Max. Short Circuit Current per MPPT	25 A
Min. Operating Voltage / Start Input Voltage	200 V / 250 V
Full Power MPPT Voltage Range	480 V ~ 800 V
MPPT Operating Voltage Range	200 V ~ 950 V
Rated Input Voltage	620 V
Max. Number of Inputs	6
Number of MPP Trackers	3
	<b>Output</b>
Rated AC Active Power	23,000 W
Max. AC Apparent Power	23,000 VA
Max. AC Active Power (cosφ=1)	23,000 W
Rated Output Voltage	220V / 380V, 230V / 400V, 3W+N+PE
Rated AC Grid Frequency	50 Hz / 60 Hz
Max. Output Current	34.9 A
Adjustable Power Factor	0.8 LG ... 0.8 LD
Max. Total Harmonic Distortion	< 3%
	<b>Protection</b>
Input-side Disconnection Device	Yes
Anti-Islanding Protection	Yes
AC Overcurrent Protection	Yes
DC Overcurrent Protection	Fuseless
DC Reverse-Polarity Protection	Yes
PV-array String Fault Monitoring	Yes
DC Surge Arrester	Type II
AC Surge Arrester	Type II
Insulation Monitoring	Yes
Residual Current Detection	Yes
	<b>Communication</b>
Display	Graphic LCD
RS485	Yes
USB	Yes
	<b>General</b>
Dimensions ( W×H×D )	520 x 610 x 255 mm (20.5 x 24.0 x 10.0 inch)
Weight	48 kg (105 lb.)
Operation Temperature Range	-25 °C ~ 60 °C (-13°F ~ 140°F)
Cooling	Natural Convection
Operating Altitude	3,000 m (9,842 ft.)
Relative Humidity	0~100%
DC Connector	Amphenol H4
AC Connector	Amphenol C16/3
Protection Rating	IP65
Internal Consumption at Night	< 1 W
Topology	Transformerless
Noise Emission (Typical)	<29 dB
	<b>Standards Compliance</b>
Safety / EMC	EN/IEC 61000-6-1, EN/IEC 61000-6-2, EN/IEC 61000-6-3, EN/IEC 61000-6-4, EN/IEC 62109-1, EN/IEC 62109-2
Grid Code	IEC 61727, IEC 62116BDEW, VDE-AR-N-4105, VDE 0126-1-1, G59/3, UTE C 15-712-1, C10/11, EN 50438-Ireland, EN 50438-Turkey, AS 4777, NRS 097-2-1

